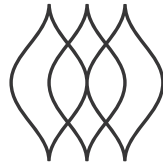


Bowers & Wilkins



FORMATION **FLEX**

Welcome to Bowers & Wilkins and Formation Flex.

Thank you for choosing Formation. When John Bowers first established Bowers & Wilkins he did so in the belief that imaginative design, innovative engineering and advanced technology were keys that could unlock the enjoyment of audio in the home. That belief continues to inspire every product we design and in Formation has found its most advanced expression yet.

Formation Flex is a network connected, wireless active speaker that provides extremely high performance reproduction of Formation audio streams. Formation Flex is primarily intended to be configured and controlled using the Bowers & Wilkins Home app. The app is available for both iOS and Android devices. Some commonly used control functions are also available via touch buttons on the Formation Flex top panel. It is only possible to install and configure a Formation Flex using the Bowers & Wilkins Home app.

Formation Flex will enable you to:

- Listen to audio from streaming services like Spotify, Apple Music, and Roon.
- Listen to network stored audio files.
- Listen to audio over Bluetooth from appropriately enabled Bluetooth source devices.
- Listen to audio from devices such as turntables (via a phono preamp) and CD players that are connected to a Bowers & Wilkins Formation Audio.
- Listen to audio, such as Internet Radio, from Airplay or Bluetooth compatible services and apps.
- Listen to audio playing anywhere in your home on any Formation device connected to your home network.

The Bowers & Wilkins Home app is required to connect your Formation Flex to your home network and also to establish a connection with other Formation products in your home. The Bowers & Wilkins Home app also provides some control and configuration functions during use. Before you begin your Formation Flex installation please download and install the Bowers & Wilkins Home app on your iOS or Android device. The Bowers & Wilkins Home app requires iOS V11.4 or later, or Android V8.1 or later. Bluetooth, and WiFi services must be enabled on your iOS or Android device. You will also need to know your WiFi network password.

Note: Location Services must be enabled on Android devices during the Formation setup process. This is because Formation products use a low power form of Bluetooth (BT-LE) for service communication which on Android devices is only switched on when Location Services are enabled. Bowers & Wilkins do not use any location services data for marketing purposes.

1. Formation Flex Carton Contents

Formation Flex
Mains power cable set appropriate for your territory
Document pack

2. Installing Your Formation Flex

Formation Flex can be used in a range of situations — as a single mono speaker, as a compact stereo pair, or as rear surround speakers in a 5.1 home theatre setup.

When used as a stereo pair, your Formation Flex should be at least 1m (3ft) apart and a similar distance from the listening area. If the speakers are positioned too close together, the stereo reproduction may lack scale; if they are too far apart, the stereo focus may be weak. There is no need to angle your Formation Flex inwards towards the listening area however doing so may tighten the stereo focus. Diagram 1 illustrates basic speaker positioning.

When used as rear speakers in a 5.1 home theatre configuration, your Formation Flex should be placed as close to 120 degrees from the front centre speaker as possible, as shown in Diagram 2.

Your Formation Flex requires a mains power supply to operate so must be located within reach of a mains socket. If your Formation Flex is to use a wired connection to your home network it will need to be located within reach of an appropriate network (Ethernet) cable.

If you decide to place your Formation Flex on a shelf, ensure that the shelf is easily able to support the weight.

Like the vast majority of speakers, your Formation Flex radiates sound energy not only forward but also to the side and rear. Consequently, if your Formation Flex is positioned close to room boundaries, or particularly in a corner, bass may become over emphasised. If you find that bass from your Formation Flex is too prominent, moving it to an alternative position may be beneficial, however you can also adjust the bass level via the Bowers & Wilkins Home app Settings menu.

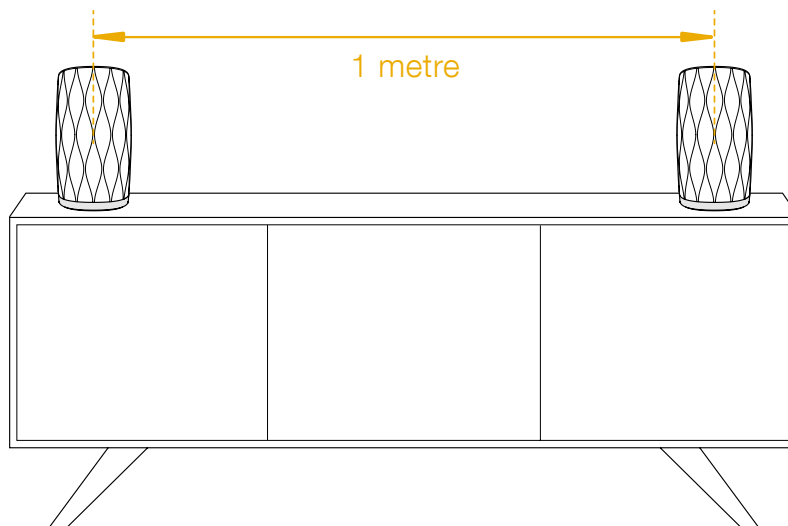


Diagram 1
Stereo positioning

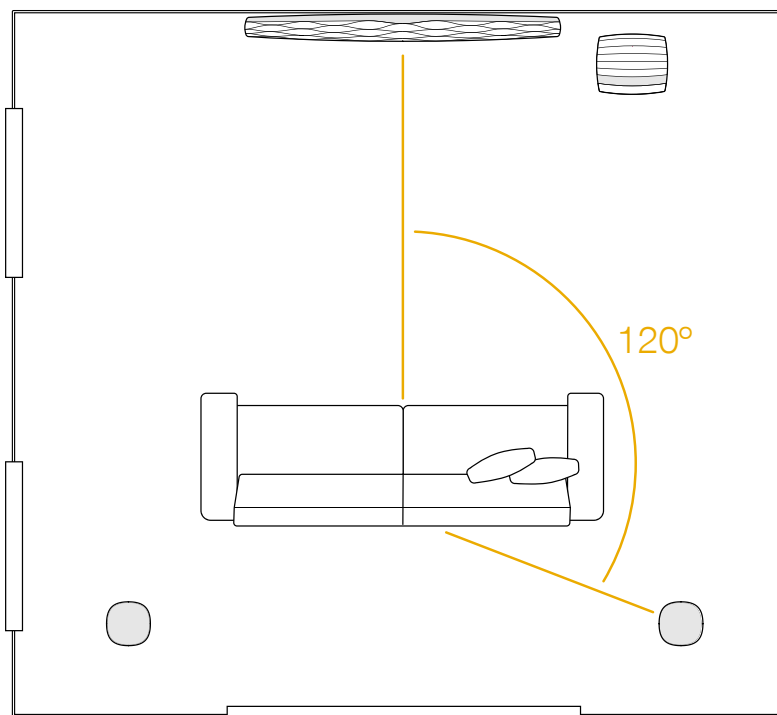


Diagram 2
Home theatre positioning

Connections

In addition to a mains power socket **1**, your Formation Flex carries an Ethernet socket **2** for connection to a router should a wired network connection be preferred to wireless (WiFi).

Note: The USB socket located on the Formation Flex rear panel is intended for service and diagnostic use only. It cannot be used for any other purpose.

Switch On and Off

With all connections made, and the Bowers & Wilkins Home app installed on your mobile device, your Formation Flex is ready to be setup. Your Formation Flex has no mains power switch and, following a short start-up routine, will be operational as soon as it is connected to mains power. It will play an audio prompt when its startup routine is complete.

When a Formation Flex that has not been previously used is first switched on it will automatically enter setup mode to enable its connection to your home network and to any other available Formation devices. Setup mode is indicated by a slow amber pulse illumination of the Form touch button **3**.

The Formation Flex will also appear in the Bowers & Wilkins Home app as available for set up, either on the initial app page, or after selecting 'Add Formation product' from the app Settings page.

Your Formation Flex manages its operational state and power consumption entirely automatically and will switch to a power saving mode after twenty minutes of inactivity. There is no need ever to switch off your Formation Flex, however should you wish to do so, simply disconnected it from mains power. Your Formation Flex will retain its settings without mains power.

You can restart a Formation Flex by a short press and release of the reset button **3** located on its rear panel. Pressing the button will switch the Formation Flex off and on again. All settings will be retained when your Formation Flex restarts. You can also restart your Formation Flex via the Bowers & Wilkins Home app Settings page.

If you wish to reset your Formation Flex to its default settings, press and hold the reset button for five seconds. On restart, your Formation Flex will enter setup mode. All settings will be deleted when your Formation Flex resets. You can also reset your Formation Flex via the Bowers & Wilkins Home app Settings menu.

Network Setup

- With your Formation Flex in setup mode, with its Form button **3** illumination pulsing slowly amber, launch the Bowers & Wilkins Home app on your iOS or Android device. The app will guide you with prompts through the setup process.

Note: Formation Flex employs a Bluetooth connection to the device running the Bowers & Wilkins Home app during the setup process. Bluetooth signals have a relatively short range and can be interrupted by room boundaries, so we recommend that your Formation Flex and Bowers & Wilkins Home app device remain in close proximity during the setup process.

- The Bowers & Wilkins Home app will first search for Formation products in setup mode and display a screen inviting the selection of one. Tap to select your Formation Flex. If you have already set up a Formation product and are adding an additional one, select 'Add Formation product' from the app Settings menu.
- The Bowers & Wilkins Home app will next invite you to name the "Space" in which your Formation Flex is to be used. A list of default Space names is provided but you can also create your own. When you have selected, or created, a space name, the app will ask you to touch the Form button **3** on the top of your Formation Flex to confirm the selection.
- If a wireless network connection for your Formation Flex is to be used, the next setup stage will connect your Formation Flex to your home WiFi network. The app will ask you to confirm the correct WiFi network and ask you to input its password. Alternatively, if your Formation Flex is connected to your network router using an Ethernet cable, this stage of the setup process will be bypassed.

Note: If you already have other Formation products connected to your WiFi network, Formation Flex setup will not require you to input the WiFi password.

- With WiFi network configuration, and Space selection complete, your Formation Flex is ready for use. Your Formation Flex will play an audio prompt to confirm successful set up.

Bluetooth Setup

You can connect your Formation Flex to a Bluetooth enabled audio source device, such as a smartphone, to play audio over Bluetooth. Your Formation Flex must first be "paired" with the Bluetooth audio source device.

Once you have completed the Formation Flex network setup, open the Bowers & Wilkins Home app Settings page, and select the Formation Space that you wish to pair a Bluetooth device with. Next select '+ Pair a new device' from the Bluetooth menu and follow the app instructions to complete pairing. Your Formation Flex will play an audio prompt when pairing is complete and its Space will become available to the paired Bluetooth device for audio playback.

Note: Up to eight Bluetooth devices can be simultaneously paired with each Formation space, however devices will not connect and play to paired spaces automatically.

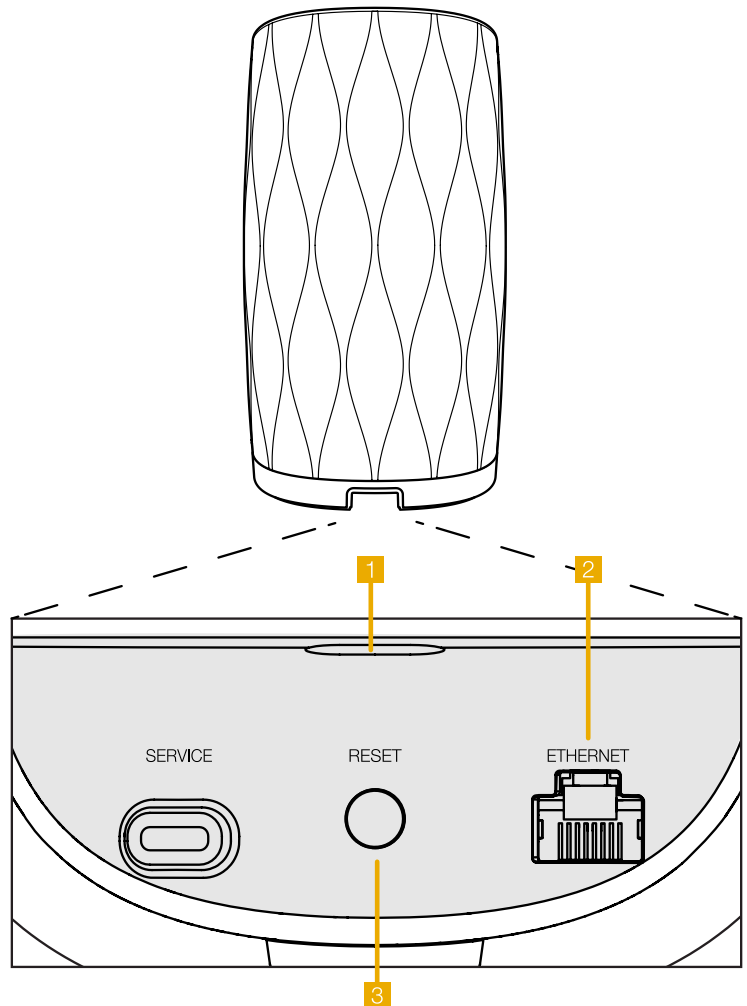


Diagram 3
Formation Flex connection panel

3. Using Your Formation Flex

The Basics


You can use your Formation Flex to play audio from streaming services such as Spotify, Apple Music, and Tidal, from the Roon music library service and from internet radio via an appropriate iRadio app. If you have further Formation devices connected to your network, a Formation Audio for example, conventional audio sources connected to it will also be available through your Formation Flex.

Spaces

Spaces are a core concept of the Formation product family. A Formation “space” is a room or a specific area in your home in which you listen to music. Each space can include different combinations of Formation products. The possible configurations are displayed in the Diagram 4.

Playing Audio

The Bowers & Wilkins Home app enables you to select and play any available audio source or stream. However, in much the same way that conventional audio source playback requires initiation through a play command, Formation streams must be first initiated through their own gateway app: the Spotify app for example, or a music library app such as Roon. Each gateway or library app will list your Formation Flex space as an available playback device using Airplay, Bluetooth or in the case of Spotify, Spotify Connect.

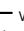
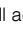
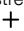
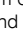

Once audio streams are playing on the Formation network they can be selected via the Bowers & Wilkins Home app or via the Formation Flex top panel Form touch button . Touching the Form button will cycle through the available streams and sources.

Formation Flex Top Panel Controls

Your Formation Flex has touch buttons on its top panel that provide play/pause control, volume adjustment and source/stream selection.

- Touching the Play/Pause  will alternately stop and restart audio playback.

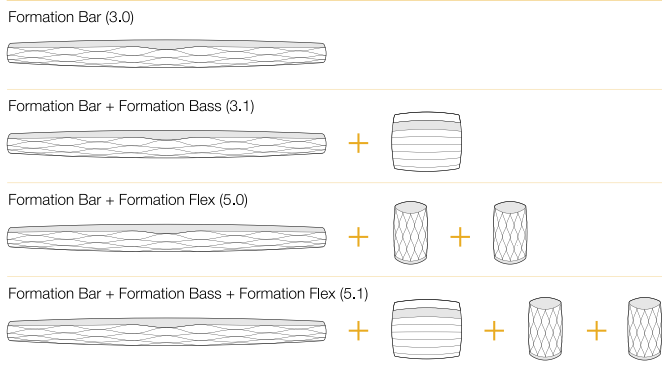
Note: Play/pause will only operate if the stream source has play and pause functions that can be accessed through Bluetooth or network connections.

- Touching volume up  or down  will adjust the local volume of any network stream or local source. Pressing and holding the  and  buttons will continuously increase or decrease volume.
- Touching the Form button  will cycle through and play the active streams and sources available to the Formation Flex.

Form Button Illumination

The Formation Flex Form button illumination changes to indicate a variety of operational states. The illuminations are displayed in Diagram 5.

TV Space configurations



Music Space configurations

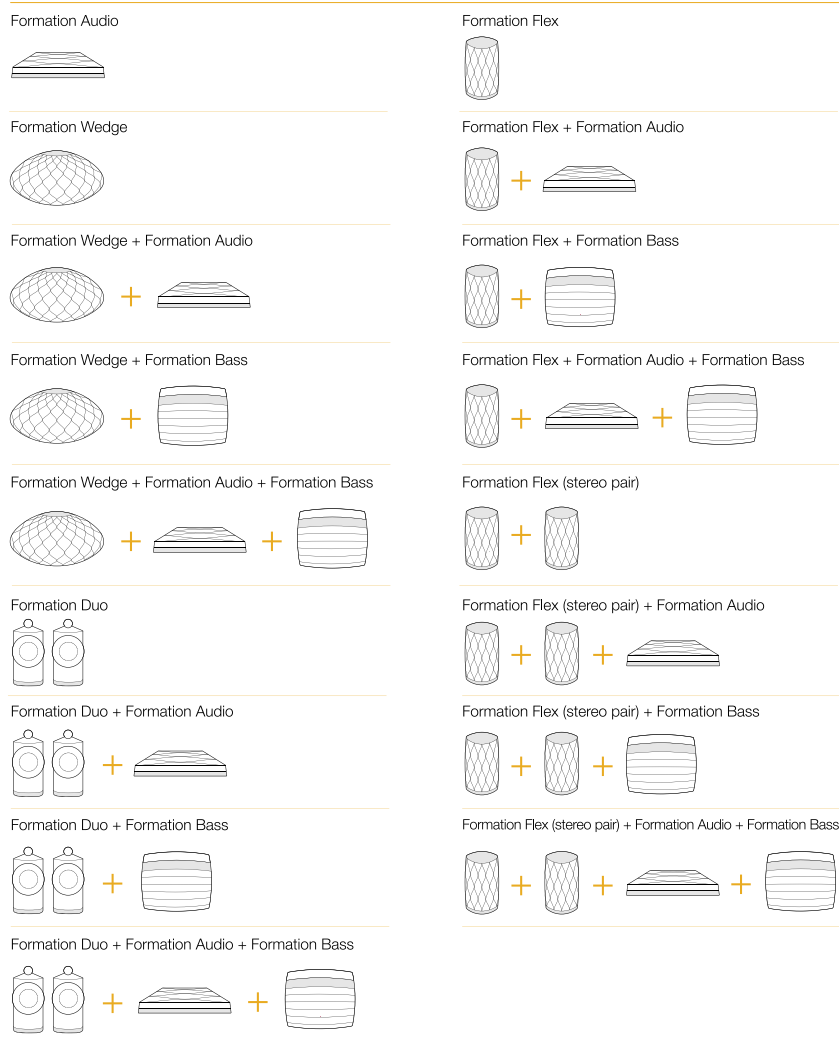


Diagram 4
Space configurations

4. The Bowers & Wilkins Home App

With your Formation Flex configured and connected to your network, the Bowers & Wilkins Home app will open to its Home screen where the Formation Flex space and any other available Formation spaces will be listed.

Tap on a Formation Space to select from any available streams or inputs. If there are no streams available, open a streaming app, Spotify for example, and select an item to play, then select the Formation Space from the list of available playback devices. Now, when you return to the Bowers & Wilkins Home app, the Spotify stream will be listed on the Formation Flex Space page.

The Bowers & Wilkins Home app Home page has a Settings icon in the top right corner. Tap the icon to open the app Settings menu. The Settings menu provides options to configure and reset your Formation devices and re-name your Formation Spaces. App and Formation device firmware updates are also initiated from the Settings menu.

Finding Your Way Around the Bowers & Wilkins Home App

The Bowers & Wilkins Home app will search for available Formation Spaces when opened then display its Home page with the Spaces listed.

Beneath each Space the app will display its current activity. Tapping on an active Space will open a "now playing" screen that enables volume and play/pause control.

The 'now playing' screen also provides an 'Available Spaces' option that enables the stream playing in the selected Space to be transferred to another Space or played in multiple Spaces. The 'Available Spaces' screen also provides the opportunity to control volume, both globally across all Spaces, or in individual Spaces.

The Bowers & Wilkins Home app Settings page is opened by tapping on the settings icon. The initial Settings menu lists each space and the number of Formation devices present in each one.

Tapping on a Space listed in the Settings menu provides access to its Space and Formation device settings. Tap the Space name to access the Space settings and tap the device name to access the device settings. The device settings available will depend on the device in question.

Note: If the Settings icon on the Bowers & Wilkins Home app displays a yellow dot this indicates that a Formation firmware update is available. The firmware update process is initiated from the Settings menu. You should always aim to keep the Bowers & Wilkins Home app and your Formation devices up to date with the latest version and firmware. Not only will this help ensure the most reliable performance, it will ensure that you benefit from new Formation features.

5. Formation Music Streams and Sources

Using Spotify

Use your phone, tablet or computer as a remote control for Spotify. Go to spotify.com/connect to learn how.

The Spotify Software is subject to third party licenses found here: <https://www.spotify.com/connect/third-party-licenses>.

Using Airplay

Airplay enables audio apps on Apple mobile, laptop or desktop devices to stream material over a network to Airplay compatible speakers such as Formation Flex. Airplay enabled apps will display the Airplay icon.

To use Airplay, open the audio app you wish to use and select the music you wish to play. Tap on the Airplay icon to display a list of available devices followed by the Formation Space you wish to use.

Note: It is possible to stream audio via Airplay on multiple devices simultaneously, however the playback quality and synchronisation may then depend on the capabilities of your home network. If you wish to play material simultaneously in more than one Formation space, synchronization can be greatly improved by selecting multiple spaces through the Bowers & Wilkins Home app.

Using Roon

Roon is a feature rich music library and playback app that compiles all the music files available to your network and makes them easily available to play across all your Formation Spaces and any other Roon enabled audio devices. Roon is available for mobile, laptop or desktop devices.

When you open Roon it will display your complete audio library together with its metadata and artwork along with all the Formation Spaces and any other available network audio devices. Simply select the music you wish to play and Formation space in which you want to hear it.

Note: It is possible to stream audio from Roon on multiple devices simultaneously, however the playback quality and synchronisation may then depend on the capabilities of your home network. If you wish to play material simultaneously in more than one Formation space, synchronization can be greatly improved by selecting multiple spaces through the Bowers & Wilkins Home app.

Using Bluetooth

Bluetooth enables audio apps on mobile, laptop or desktop devices to stream material over a wireless connection to compatible hardware such as the Formation Flex.

To use Bluetooth, ensure that the required Formation Space is selected in your device Bluetooth settings menu, open the audio app you wish to use and select the music you wish to play. Tap on the playback devices icon to display a list of those available followed by Formation Space you wish to use.

6. Cleaning

Should your Formation Flex need cleaning you can wipe its top surface with a clean, lint-free cloth and brush its grille with a soft brush. If you wish to use any cleaning fluid, apply it onto the cleaning cloth and not directly onto the Formation Flex. Test a small area first, as some cleaning products may damage some of the surfaces. Avoid products that are abrasive, or contain acid, alkali or anti-bacterial agents.

7. Support

Should you require further help or advice regarding your Formation Flex please visit the Formation support site here www.bowerswilkins.com/support.

Environmental Information

This product complies with international directives, including but not limited to the Restriction of Hazardous Substances (RoHS) in electrical and electronic equipment, the Registration, Evaluation, Authorisation and restriction of Chemicals (REACH) and the disposal of Waste Electrical and Electronic Equipment (WEEE). Consult your local waste disposal authority for guidance on how properly to recycle or dispose of this product.

Indicator	Operational state
Flashing white	Start-up in progress
Pulsing amber	Ready for setup
Flashing amber	Firmware update in progress
Pulsing white	Audio pull in progress
Pulsing red	Error - contact support
Solid red	Error - contact support
Flashing red	Factory reset in progress

Diagram 5
Form button illuminations

Добро пожаловать в Bowers & Wilkins и Formation Flex!

Благодарим вас за приобретение Formation. Наш основатель, Джон Бауэрс, верил в то, что творческий подход в проектировании, новаторская конструкция и передовые технологии смогут открыть людям путь к подлинному звучанию продуктов Bowers & Wilkins в доме. Мы продолжаем разделять его веру, и она вдохновляет нас при проектировании всех новых продуктов, и в серии Formation она нашла свое самое современное воплощение.

Formation Flex - это подключенная к сети беспроводная активная акустическая система, которая обеспечивает очень высокое качество воспроизведения аудио потоков систем Formation. Formation Flex можно сконфигурировать и управлять, прежде всего, с помощью приложения Bowers & Wilkins Home. Приложение доступно как для iOS, так и для Android устройств. Некоторые часто используемые функции управления доступны также с помощью сенсорных кнопок на передней панели Formation Flex. Установить и настроить Formation Flex можно только с помощью приложения Bowers & Wilkins Home.

Formation Flex позволяет делать следующее:

- Слушать аудио из потоковых сервисов, таких как Spotify, Apple Music и Roon.
- Слушать хранящиеся в сети аудио файлы.
- Слушать аудио через Bluetooth с соответствующим образом включенных источников – устройств с Bluetooth.
- Слушать аудио с устройств, таких как проигрыватели винила (через фонокорректор-предусилитель) и CD-плееры, которые подсоединены к Bowers & Wilkins Formation Audio.
- Слушать источники аудио, такие как интернет-радио, из-под Airplay или Bluetooth совместимых сервисов и приложений.
- Слушать аудио, воспроизводимое в любом месте вашего дома, на любом устройстве Formation, подключенном к вашей домашней сети.

Требуется приложение Bowers & Wilkins Home для подключения вашей системы Formation Flex к домашней сети, а также для установления связи с другими продуктами Formation в вашем доме. Приложение Bowers & Wilkins Home предоставляет также некоторые функции управления и настройки во время использования. Перед началом установки Formation Flex загрузите и установите приложение Bowers & Wilkins Home на устройстве iOS или Android. Приложение Bowers & Wilkins Home требует iOS версии 11.4 или более поздней или Android и V8.1 или более поздней версии. Службы Bluetooth и WiFi должны быть включены на вашем устройстве iOS или Android. Вам также нужно будет знать свой сетевой пароль для Wi-Fi.

Примечание: сервис определения местоположения должен быть включен на устройствах Android в процессе установки Formation. Это связано с тем, что продукты Formation используют маломощную форму Bluetooth (BT-LE) для служебной связи, которая на устройствах Android включается только при включении служб определения местоположения. Bowers & Wilkins не используют данные служб определения местоположения в маркетинговых целях.

1. Содержимое упаковки Formation Flex

Formation Flex
Кабель питания для Formation Flex, подходящий для ваших розеток
Пакет документации

2. Установка ваших колонок Formation Flex

Formation Flex может использоваться в различных ситуациях — как в качестве одной колонки с моно звуком, так и в качестве компактной стереопары или в качестве тыловых колонок окружающего звучания в 5.1-канальном домашнем кинотеатре.

При использовании в качестве стереопары, ваши Formation Flex должны быть размещены по крайней мере на расстоянии 1 м (3 фута) друг от друга и на таком же расстоянии от зоны прослушивания. Если колонки расположены слишком близко друг к другу, воспроизведению стерео может не хватать масштаба; если они расположены слишком далеко друг от друга, фокусировка стерео образа может оказаться слабой. Нет необходимости поворачивать ваши Formation Flex внутрь, направляя их на область прослушивания, однако это может улучшить стерео фокусировку. На Диаграмме 1 показано базовое расположение колонок.

При использовании в качестве тыловых колонок окружающего звука в 5.1-канальной конфигурации домашнего кинотеатра, устройство Formation Flex должно располагаться под углом как можно ближе к 120 градусам спереди по отношению к центральной колонке, как показано на Диаграмме 2.

Ваша колонка Formation Flex требует наличия источника электропитания для работы, поэтому он должен быть расположен в пределах досягаемости розетки. Если Formation Flex должна использовать проводное подключение к домашней сети, она должна быть расположена в пределах досягаемости необходимых (Ethernet) кабелей.

Если вы решили разместить свою Formation Flex на полке, убедитесь, что полка легко выдерживает ее вес.

Как и подавляющее большинство колонок, ваша Formation Flex излучает звуковую энергию не только вперед, но и в стороны, а также назад. Следовательно, если Formation Flex установлена слишком близко к стенам комнаты, и особенно в углу, бас может стать более подчеркнутым. Если вы почувствуете, что бас стал слишком заметен, может быть, полезно будет сменить место установки, однако уровень басов вы можете настроить и через приложение Bowers & Wilkins Home, зайдя в меню настроек Settings.

Подключения

В дополнение к сетевой розетке **1**, Formation Flex имеет входной разъем Ethernet **2** для подключения к роутеру – в случае выбора проводного соединения вместо Wi-Fi.

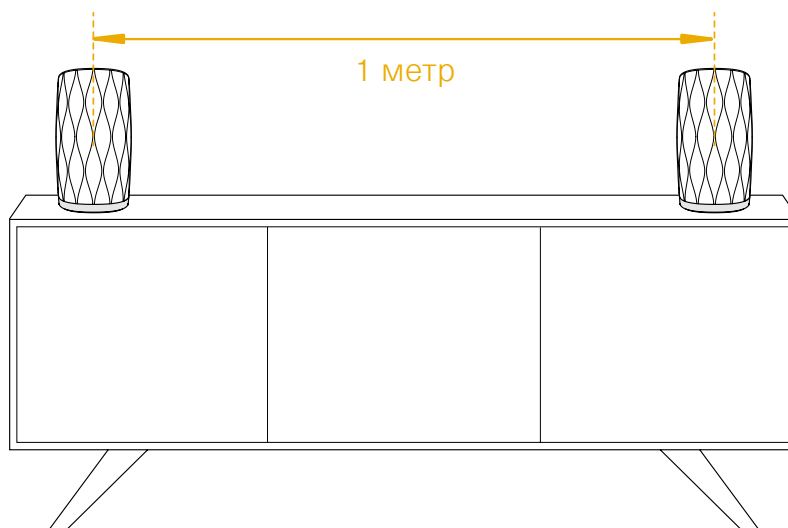


Диаграмма 1
Размещение Formation Flex в стерео системе

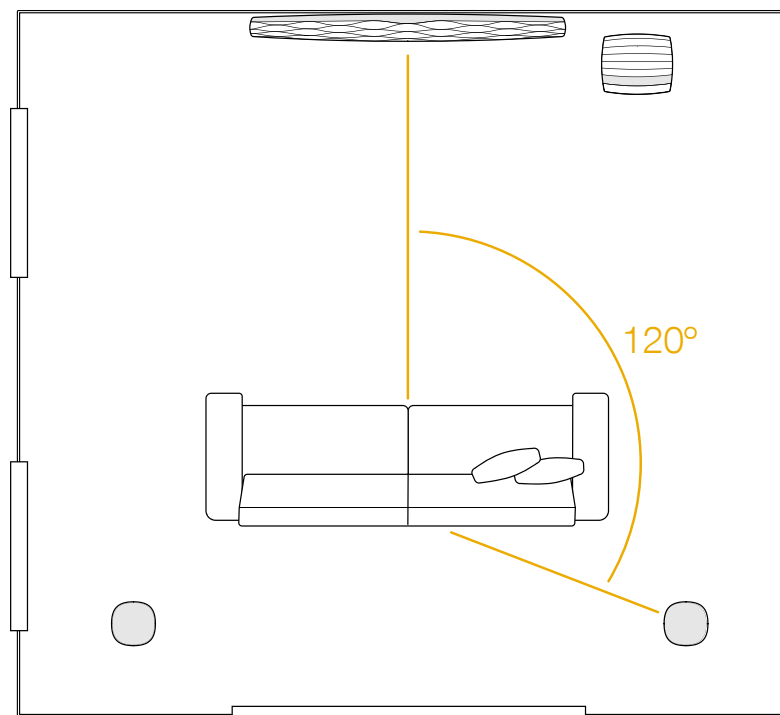


Диаграмма 2
Размещение Formation Flex в домашнем кинотеатре

Примечание: разъем USB, расположенный на задней панели Formation Flex, предназначен только для сервисного и диагностического использования. Он не может быть использован для каких-либо других целей.

Включение и выключение

После выполнения всех подключений и запуска приложения Bowers & Wilkins Home, установленного на вашем мобильном устройстве, ваш Formation Flex готов к настройке и использованию. Formation Flex не имеет сетевого выключателя питания и поэтому после короткой процедуры запуска, начнет работать, как только будет подключен к сети питания. Он выдаст звуковое приглашение, когда его процедура запуска завершена.

Когда пара Formation Flex, которая ранее не использовалась, включается первый раз, она автоматически переходит в режим настройки, чтобы задать подключение к вашей домашней сети и к любым другим доступным устройствам семейства Formation. Режим настройки индицируется медленным миганием оранжевой импульсной подсветки сенсорной кнопки Form. При этом Formation Flex появится также в приложении Bowers & Wilkins Home, доступном для настройки, либо на начальной странице приложения, либо после выбора опции 'Add Formation product' – "Добавить продукт Formation" на странице настроек приложения.

Ваша пара колонок Formation Flex управляет своим рабочим состоянием и энергопотреблением полностью автоматически и переключается в режим энергосбережения после двадцати минут бездействия. Вообще нет необходимости когда-либо выключать Formation Flex, однако если вы хотите сделать это, просто отключил ее от сети питания. Ваша Formation Flex сохранит свои настройки и без сетевого питания.

Можно перезапустить Formation Flex кратким нажатием и отпусканием кнопки reset, расположенной на задней панели. При нажатии этой кнопки Formation Flex выключится и включится вновь. Все настройки при таком перезапуске сохраняются. Кроме того, перезапустить Formation Flex можно на странице настроек приложения Bowers & Wilkins Home app – Settings.

Если же вы хотите сбросить все настройки Formation Flex к их значениям по умолчанию, нажмите и удержите кнопку reset в течение 5 секунд. После сброса, ваш Formation Flex снова войдет в режим настройки. При таком сбросе все ваши настройки Formation Flex будут стерты. Кроме того, сбросить все настройки Formation Flex можно на странице настроек приложения Bowers & Wilkins Home app – Settings.

Сетевые настройки

- Когда Formation Flex находится в режиме настройки, и подсветка его кнопки Form, медленно пульсирует оранжевым цветом, запустите приложение Bowers & Wilkins Home на вашем устройстве iOS или Android. Приложение будет направлять вас подсказками в ходе процесса настройки.

Примечание: Formation Flex использует Bluetooth-соединение с устройством, на котором работает приложение Bowers & Wilkins Home, во время процесса установки. Сигналы Bluetooth имеют относительно малую зону охвата и могут быть заблокированы границами комнаты, поэтому мы рекомендуем, чтобы ваше устройство Formation Flex и устройство с приложением Bowers & Wilkins Home app оставались в непосредственной близости во время процесса настройки.

- Приложение Bowers & Wilkins Home в режиме настройки сначала будет искать продукты Formation и отображать экран, приглашающий сделать выбор одного из них. Кликните нужную иконку, чтобы выбрать Formation Flex. Если вы уже настроили Formation Flex и добавляете дополнительное устройство, выберите 'Add Formation product' – "Добавить продукт Formation" в меню настроек приложения.
- Приложение Bowers & Wilkins Home затем предложит вам назвать "пространство" (Space), в котором будет использоваться ваш Formation Flex. Список типов пространств (Space) по умолчанию предоставляется, но вы также можете создать свой собственный тип. Когда вы выбрали или создали наименование пространства, приложение попросит вас нажать кнопку Form на верхней панели вашего Formation Flex, чтобы подтвердить выбор.
- Если необходимо использовать беспроводное сетевое подключение для вашего Formation Flex, то на следующем этапе настройки он будет подключен к домашней сети WiFi. Приложение попросит вас подтвердить правильную сеть WiFi и попросит вас ввести свой пароль. Кроме того, если Formation Flex подключен к сетевому маршрутизатору с помощью кабеля Ethernet, этот этап процесса установки будет пропущен.
- После конфигурации сети WiFi и полного выбора окружающего пространства ваш Formation Flex готов к использованию. Ваш Formation Flex выдаст звуковое приглашение для подтверждения успешной настройки.

Настройка Bluetooth

Для воспроизведения звука через Bluetooth можно подключить Formation Flex к устройству с поддержкой Bluetooth, например к смартфону. Ваш Formation Flex должен быть сначала "сопряжен" с Bluetooth устройством – источником звука.

После завершения сетевых настроек Formation Flex откройте страницу Settings (Настройки) приложения Bowers & Wilkins Home и выберите Formation Space, с которым вы хотите выполнить сопряжение устройства Bluetooth. Затем выберите "+ сопряжение нового устройства" в меню Bluetooth и следуйте инструкциям приложения для завершения сопряжения. Ваш Formation Flex будет воспроизводить звуковое приглашение, когда сопряжение завершено, и его Space станет доступным для сопряженного устройства Bluetooth для воспроизведения звука.

Примечание: до восьми устройств Bluetooth могут быть одновременно сопряжены с каждым Formation Space, однако устройства не будут подключаться и воспроизводиться в парных пространствах автоматически.

Примечание: Если у вас уже есть другие продукты Formation, подключенные к вашей сети WiFi, процедура настройки не потребует ввода пароля для WiFi.

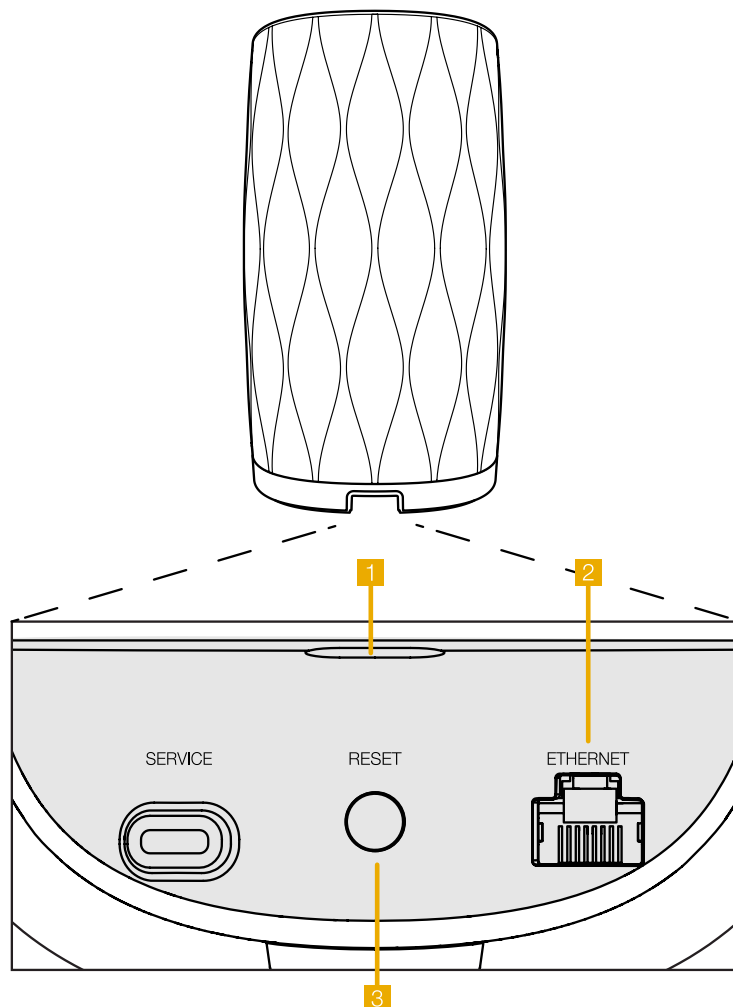


Диаграмма 3
Панель разъемов Formation Flex

3. Использование Formation Flex

Основы

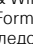
Вы можете использовать свою пару колонок Formation Flex для воспроизведения звука из потоковых сервисов, таких как Spotify, Apple Music и Tidal, из службы музыкальной библиотеки Roon и из интернет-радио через соответствующее приложение iRadio. Если к вашей сети подключены дополнительные устройства Formation, например Formation Audio, то обычные аудио источники, подключенные к нему, также будут доступны через колонки Formation Flex.

Пространства – Spaces

Пространства (Spaces) – это ключевая концепция семейства продуктов Formation. Для Formation "space" – это комната или отдельная зона в вашем доме, в которой вы слушаете музыку. В каждом Пространстве (Space) могут быть установлены различные комбинации продуктов Formation. Список возможных конфигураций представлен на Диаграмме 4.

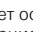
Воспроизведение аудио

Приложение Bowers & Wilkins Home позволяет выбрать и воспроизвести любой доступный источник звука или поток. Тем не менее, во многом точно так же, как обычное воспроизведение источника звука требует инициализации через команду воспроизведения, потоки Formation должны быть сначала инициализированы через их собственное шлюзовое приложение: например, приложение Spotify, или приложение музыкальной библиотеки, такое как Roon. Каждый шлюз или приложение библиотеки будет считать пространства (Spaces) вашего Formation Flex доступными устройствами воспроизведения с помощью Airplay, Bluetooth или в случае Spotify, Spotify Connect.

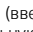


Когда аудио потоки воспроизводятся в сети Formation, их можно выбрать с помощью приложения Bowers & Wilkins Home или с помощью сенсорной кнопки Form  на передней панели Formation Flex. При последовательном нажатии несколько раз на кнопку Form можно перебрать все доступные потоки и источники.

Органы управления и подсветка верхней панели Formation Flex

На верхней панели Formation Flex есть сенсорные кнопки, которые обеспечивают управление воспроизведением / паузой, регулировку громкости и выбор источника/потока.

- Касание Play/Pause  будет останавливать или возобновлять воспроизведение аудио.

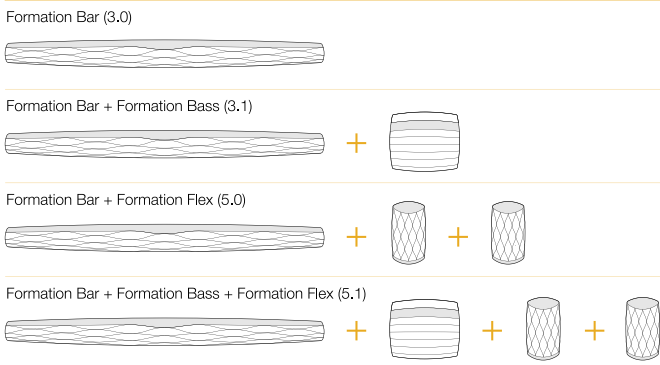
Примечание: воспроизведение / пауза будет работать только в том случае, если потоковый источник имеет функции воспроизведения и паузы, которые могут быть доступны через Bluetooth или сетевые подключения.

- Прикосновение к регулировке громкости (вверх  или вниз ) будет регулировать локальную громкость любого сетевого потока или локального источника. Нажатие и удержание кнопок будет непрерывно увеличивать или уменьшать громкость.
- При последовательном нажатии на кнопку Form  будет сделан циклический перебор и воспроизведение активных потоков и источников, доступных для Formation Flex.

Подсветка кнопки Form

Подсветка кнопки Form изменяется для указания различных рабочих состояний. Режимы индикации представлены на Диаграмме 5.

Конфигурации TV Space



Конфигурации Music Space

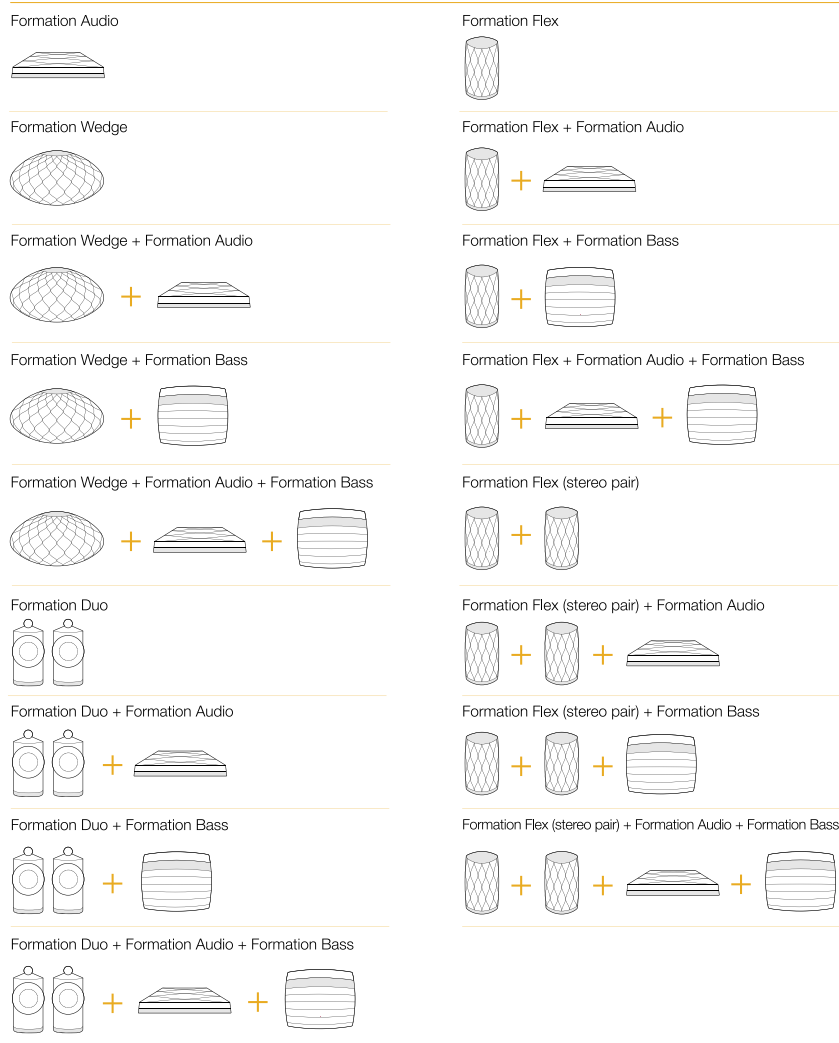


Диаграмма 4
Конфигурации пространств (Space)

4. Приложение Bowers & Wilkins Home App

Когда ваш Formation Flex настроен и подключен к вашей сети, на главном экране открывается приложение Bowers & Wilkins Home, где будет указано пространство (Space) Formation Flex и любые другие доступные пространства семейства Formation.

Нажмите на пространство (Space) Formation, чтобы выбрать один из доступных потоков или входов. Если нет доступных потоков, откройте потоковое приложение, например Spotify, и выберите элемент для воспроизведения, а затем выберите пространство Formation Space из списка доступных устройств воспроизведения. Теперь, когда вы вернетесь в приложение Bowers & Wilkins Home, поток Spotify будет указан на странице пространства (Space) Formation Flex.

Домашняя страница приложения Bowers & Wilkins Home имеет значок настроек Settings в правом верхнем углу. Нажмите на этот значок, чтобы открыть меню настроек Settings приложения. Меню Settings содержит параметры для настройки и сброса устройств Formation и переименования пространств Formation. Обновления прошивки приложений и устройств Formation также инициируются из меню настроек Settings.

Поиск вашего пути в приложении Bowers & Wilkins Home

Приложение Bowers & Wilkins Home будет искать доступные пространства (Space) Formation при открытии, а затем отображать свою домашнюю страницу со списком пространств (Space).

Под каждым пространством (Space) приложение будет отображать свою текущую активность. Нажатие на активное пространство откроет экран "now playing" ("сейчас играет"), который позволяет регулировать громкость и запускать воспроизведение/паузу.

Экран "now playing" также предоставляет опцию "Available Spaces" ("доступные пространства"), которая позволяет потоку, воспроизводимому в выбранном пространстве, перенестись в другое пространство или воспроизводиться в нескольких пространствах. Экран "Available Spaces" ("доступные пространства") предоставляет также возможность управлять громкостью, как глобально во всех пространствах, так и в отдельных пространствах.

Страница настроек Settings приложения Bowers & Wilkins Home открывается нажатием на значок настроек. В меню первоначальных настроек перечислены каждое из пространств и количество устройств Formation, присутствующих в каждом из них.

Нажатие на пространство, указанное в меню настроек Settings, обеспечивает доступ к его настройкам и настройкам устройства Formation. Коснитесь имени пространства, чтобы получить доступ к его настройкам, или коснитесь имени устройства, чтобы получить доступ к его настройкам. Доступные настройки будут зависеть от конкретного устройства.

Примечание: если на значке Settings в приложении Bowers & Wilkins Home отображается желтая точка – это означает, что имеется обновление прошивки для Formation. Процесс обновления прошивки ПО запускается из меню настроек Settings. Вы всегда должны стремиться поддерживать приложение Bowers & Wilkins Home и ваши устройства Formation в актуальном состоянии – с последней версией и прошивкой. Это не только поможет обеспечить наиболее надежную работу, но и обеспечит вам получение преимуществ от новых функций Formation.

5. Стриминговые потоки и источники музыки для Formation

Использование Spotify

Используйте свой смартфон, планшет или компьютер в качестве пульта дистанционного управления для Spotify. Перейдите на сайт [spotify.com/connect](https://www.spotify.com/connect) чтобы научиться этому.

Программное обеспечение Spotify является предметом лицензии третьих сторон, информацию о которых можно найти здесь: <https://www.spotify.com/connect/thirdparty-licenses>.

Использование Airplay

Airplay позволяет аудио приложениям на мобильных устройствах Apple, ноутбуках или настольных устройствах передавать материалы по сети на совместимые с Airplay устройства, такие как Formation Flex. Приложения с поддержкой Airplay отображат значок Airplay.

Чтобы использовать Airplay, откройте аудио приложение, которое вы хотите использовать, и выберите музыку, которую вы хотите воспроизвести. Нажмите на значок Airplay, чтобы отобразить список доступных устройств, а затем пространство Formation Space, которое вы хотите использовать.

Примечание: можно передавать аудио через Airplay на несколько устройств одновременно, однако качество воспроизведения и синхронизации может зависеть от возможностей вашей домашней сети. Если вы хотите воспроизводить записи одновременно в более чем одном пространстве Formation Space, синхронизация может быть значительно улучшена путем выбора нескольких пространств через приложение Bowers & Wilkins Home.

Использование Roon

Roon – это многофункциональная музыкальная библиотека и приложение для воспроизведения, которое собирает все музыкальные файлы, доступные в вашей сети, и делает их легко доступными для воспроизведения во всех ваших пространствах Formation Space и любых других аудиоустройствах с поддержкой Roon. Roon доступен для мобильных, портативных или настольных устройств.

Когда вы откроете Roon, он отобразит вашу полную библиотеку аудио вместе с ее метаданными и художественными обложками, при этом вместе со всеми пространствами Formation Spaces и любыми другими доступными сетевыми аудио устройствами. Просто выберите музыку, которую вы хотите воспроизвести, и пространство Formation Space, в котором вы хотите ее услышать.

Примечание: можно передавать аудио из Roon на несколько устройств одновременно, однако качество воспроизведения и синхронизации может зависеть от возможностей вашей домашней сети. Если вы хотите воспроизводить материал одновременно в более чем одном пространстве Formation Space, синхронизация может быть значительно улучшена путем выбора нескольких пространств через приложение Bowers & Wilkins Home.

Использование Bluetooth

Bluetooth позволяет аудио приложениям на мобильных, портативных или настольных устройствах передавать аудио по беспроводному соединению с совместимым оборудованием, таким как Formation Flex. В аудио приложениях совместимых с Bluetooth, отображается значок AirPlay.

Чтобы использовать Bluetooth, убедитесь, что в меню настроек Bluetooth вашего устройства выбрано необходимое пространство Formation Space, откройте аудио приложение, которое вы хотите использовать, и выберите музыку, которую вы хотите воспроизвести. Нажмите на значок устройства воспроизведения, чтобы отобразить список доступных устройств, а затем пространство Formation Space, которое вы хотите использовать.

6. Очистка

Если для вашего Formation Flex потребуется очистка, протрите его поверхность чистой тканью без ворса, а защитную решетку очистите мягкой щеткой. Если же вы захотите использовать чистящую жидкость, то наносите ее на протирающую ткань, а не на корпус Formation Flex. Испробуйте его сначала на небольшом участке поверхности, т.к. некоторые моющие вещества могут повреждать отделку. Избегайте применения жидкостей с абразивными частицами, содержащих кислоту или щелочь, а также антибактериальные вещества.

7. Поддержка

Если вам требуется помощь или совет для владельцев Formation Flex пожалуйста, посетите сайт поддержки Formation www.bowerswilkins.com/support.

Экологическая информация

Этот продукт соответствует международным директивам, включая, но не ограничиваясь ограничением опасных веществ (Restriction of Hazardous Substances – RoHS) в электрическом и электронном оборудовании, регистрации, оценке, авторизации и ограничениям на использование химических веществ (REACH) и удаление отходов электрического и электронного оборудования (WEEE). Проконсультируйтесь с вашим местным органом по утилизации отходов для получения рекомендаций о том, как правильно рециклировать или утилизировать этот продукт.

Индикация	Рабочее состояние
Мигающая белая	Процедура запуска
Пульсирующая желтая	Готовность к настройке
Мигающая желтая	Идет процедура обновления ПО
Пульсирующая белая	Идет прием аудио
Пульсирующая красная	Ошибка – свяжитесь со службой поддержки
Постоянная красная	Ошибка – свяжитесь со службой поддержки
Мигающая красная	Идет сброс к фабричным установкам

Диаграмма 5
Индикация режимов подсветкой кнопки Form